

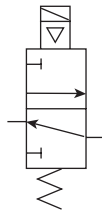
Solenoid Quick Dump Valve

A

06T & 07T Solenoid Quick Dump Valve

Features

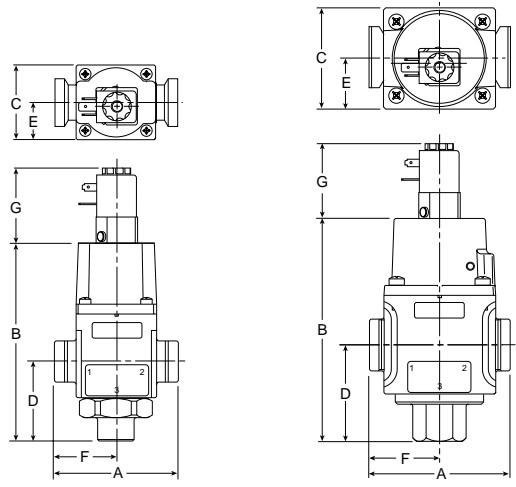
- Shuts off incoming pressure while rapidly exhausting downstream pressure
- Large exhaust flow capacities up to 5.0 Cv
- Solenoid operation
- Non-locking manual override
- Inline or Modular Mounting



06T



07T



06T

07T

Dimensions:

Model	Port Size	A	B	C	D	E	F	G	H
06T	3/8"	3.36 (85)	5.40 (137)	2.08 (53)	2.17 (26)	1.04 (43)	1.68 (43)	2.07 (53)	1.90 (48)
07T	1/2"	3.81 (96)	5.96 (151)	2.74 (70)	2.55 (65)	1.37 (35)	1.91 (48)	2.07 (53)	1.90 (48)

Inches (mm)

Operation

The solenoid quick dump valves are high flow, normally closed, 3-Port, 2-Position directional control valves. Upon energizing the solenoid, inlet air is applied to the top of the piston. The piston pushes against the spring and opens the main valve providing full flow air to the downstream. When the solenoid is de-energized, the main valve closes allowing downstream air to exhaust rapidly through the bottom plug. The bottom plug is tapped so that exhaust may be piped away or fitted with a muffler.

CAUTION: Do not use synthetic, reconstituted, or oils with an alcohol content or detergent additive.

CAUTION: Do not restrict the inlet of valves having an internal pilot supply. Pressure supply piping must be the same size as the inlet port or larger to insure that the pilot valve receives sufficient pressure supply during high flow conditions.

Ordering Information

06T		2	53	*	—
------------	--	----------	-----------	----------	----------

Series

06T Solenoid Quick Dump Valve

07T Solenoid Quick Dump Valve

Port Size

2 3/8 Inch (06T)

3 1/2 Inch (07T)

Operator / Voltage

30-145 PSI

49 24VDC*

53 120/60 Hz*

145-200 PSI

69 24VDC**

73 120/60 Hz**

MDB1 M12 Male Connector, 4 Pole

Engineering Level

* Will be Entered at Factory

Thread Type / Label

Blank NPT

1* BSPP (G)

* For Voltage Options 49 and 53, use 22mm connectors
** For Voltage Options 69 and 73, use 30mm connectors

* 3/8 & 1/2 inch meet ISO 1179-1 Standard.



Solenoid Quick Dump Valve

Performance Characteristics

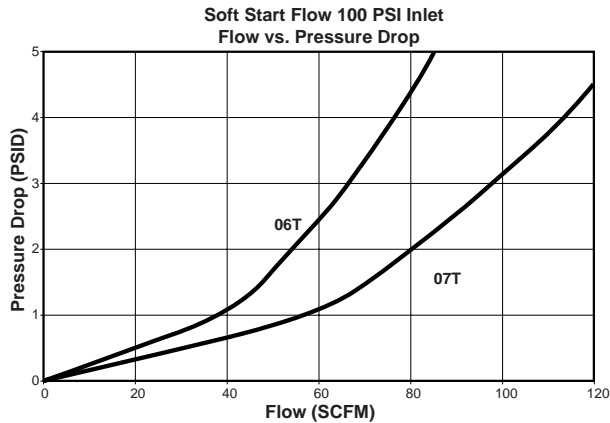
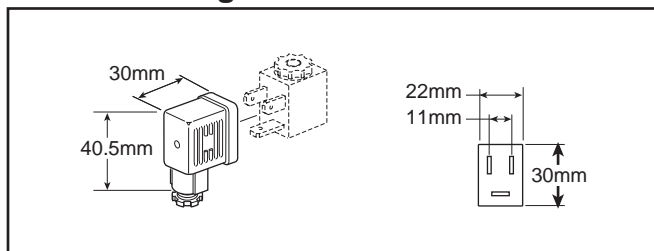


Table 2: Product forward Flow Cv (1 to 2).

Series	Flow Cv	Exhaust Flow Cv
06T	3.7	4.1
07T	5.5	5.0



22mm Rectangular 3-Pin



Connector	Connector with 6' (2m) Cord	Description
PS2429BP	PS2429JBP	Unlighted
PS243079BP	PS2430J79BP*	Light – 24VDC
PS243083BP	PS2430J83BP*	Light – 120V/60Hz

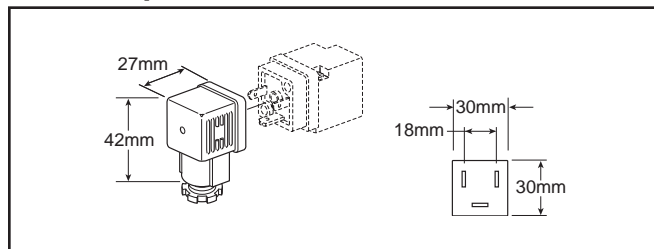
* LED with surge suppression.

Note: Max ø6.5mm cable size required for connector w/o 6' (2m) cord. IP65 rated when properly installed.

Engineering Data:

Conductors: 2 Poles Plus Ground; Cable Range (Connector Only): 6 to 8mm (0.24 to 0.31 Inch); Contact Spacing: 11mm

30mm Square 3-Pin



Connector	Connector with 6' (2m) Cord	Description
PS2028BP	PS2028JBP	Unlighted
PS203279BP	PS2032J79BP*	Light – 6-24VDC
PS203283BP	PS2032J83BP*	Light – 120V/60Hz

* LED with surge suppression.

Note: Max ø6.5mm cable size required for connector w/o 6' (2m) cord. IP65 rated when properly installed.

Engineering Data:

Conductors: 2 Poles Plus Ground; Cable Range (Connector Only): 8 to 10mm (0.31 to 0.39 Inch); Contact Spacing: 18mm

Kits & Accessories

- 06T Repair Kit PHRKS75
- 07T Repair Kit PHRKS105
- 06 Modular Body Connectors PS754P
- 07 Modular Body Connectors PS854P
- 1/2" Exhaust Silencer ES50MB
- 3/4" Exhaust Silencer ES75MB

Specifications

- Exhaust Ports**
- 06T 1/2 Inch
 - 07T 3/4 Inch

- Inlet and Outlet Ports**
- 06T 3/8 Inch
 - 07T 1/2 Inch

- Maximum Pressure –**
- Standard Coil 145 PSIG (10.0 bar)
 - High Pressure Coil 200 PSIG (13.8 bar)

Minimum Operating Pressure 30 PSIG (2.1 bar)

Temperature Ratings 40°F to 120°F (4°C to 49°C)

- Weight**
- 06T 2.25 lbs. (1.02 kg)
 - 07T 3.75 lbs. (1.70 kg)

Materials of Construction

- Body Aluminum
- Bottom Plug Brass

Connections

Central M12 Male Connector, 4 Pole

ISO 20401

Pin Number	Function	Color
1	24V Supply	Brown
2	0 to 10V or 4 to 20mA Control Signal Ri = 100k Ω	White
3	0V (GND) Supply	Blue
4	24V Alarm Output Signal	Black

